

disttec ag



Assemblies,
components



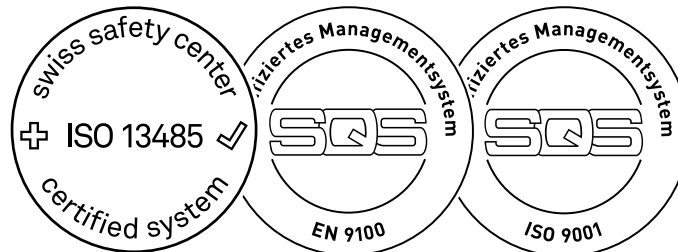
Cubic parts



Turned parts



Prototypes,
small series





distec ag





Basic information

- **Affiliation** RH-Group Holding, Bad Ragaz
- **Founded** 1 of January 1989
- **Number of employees** 85; 23 of these are apprentices



Certificate



The certification body of Swiss Safety Center AG hereby confirms that the company

Distec AG, Metalltechnik
Via Davos Mustér 9-10
CH-7180 Disentis

for the scope

Production of precision parts and assembling of modules for medical devices

successfully applies a quality management system including medical devices - requirements for regulatory purposes according to

ISO 13485:2016

Registration number:	06-136-602	
Initial certification:	15.03.2006	
Recertification:	01.03.2018	
Valid until:	14.03.2021	

Heinrich A. Bieler
Head of the certification body
Wallisellen, 06.03.2018

Swiss Safety Center AG, Certifications
Richtstrasse 15, CH-8304 Wallisellen
A company of the SVT Group, member of VdTUV



Certificate



SQS accredited under the Aerospace Registration Management Program herewith certifies that the organisation named below has been audited in accordance with the requirements of EN 9104-001:2013 and has a management system which meets the requirements of the standards specified below.

Distec AG Metalltechnik
Via Davos Mustér 9+10
7180 Disentis
Switzerland

Single Site

Scope

Manufacturing of precision parts and assemblies

Normative base

EN 9100:2018
equivalent to
AS9100 D
JISQ 9100:2016

Quality Management System –
Requirements for Aviation,
Space and Defence Organisations
Requirements based on ISO 9001:2015

Reg. no. 45945

Issue date 27.09.2020
Expiry date 26.09.2023
Re-issue date 27.09.2020

Date of audit
03.06.2020 – 27.08.2020

A. Grisard, President SQS
F. Müller, CEO SQS

Swiss Association for Quality and Management Systems (SQS)
Bernstrasse 103, 3052 Zollikofen, Switzerland





Certificate

The SQS herewith attests that the organisation named below has a management system that meets the requirements of the normative base mentioned.

Distec AG Metalltechnik
Via Davos Mustér 9 + 10
7180 Disentis
Switzerland

Scope

Manufacturing of precision parts and assemblies

Normative base

ISO 9001:2015

Quality Management System

Reg. no. 46180

Validity 27.09.2020–26.09.2023
Issue 27.09.2020

A. Grisard
A. Grisard, President SQS

F. Müller
F. Müller, CEO SQS

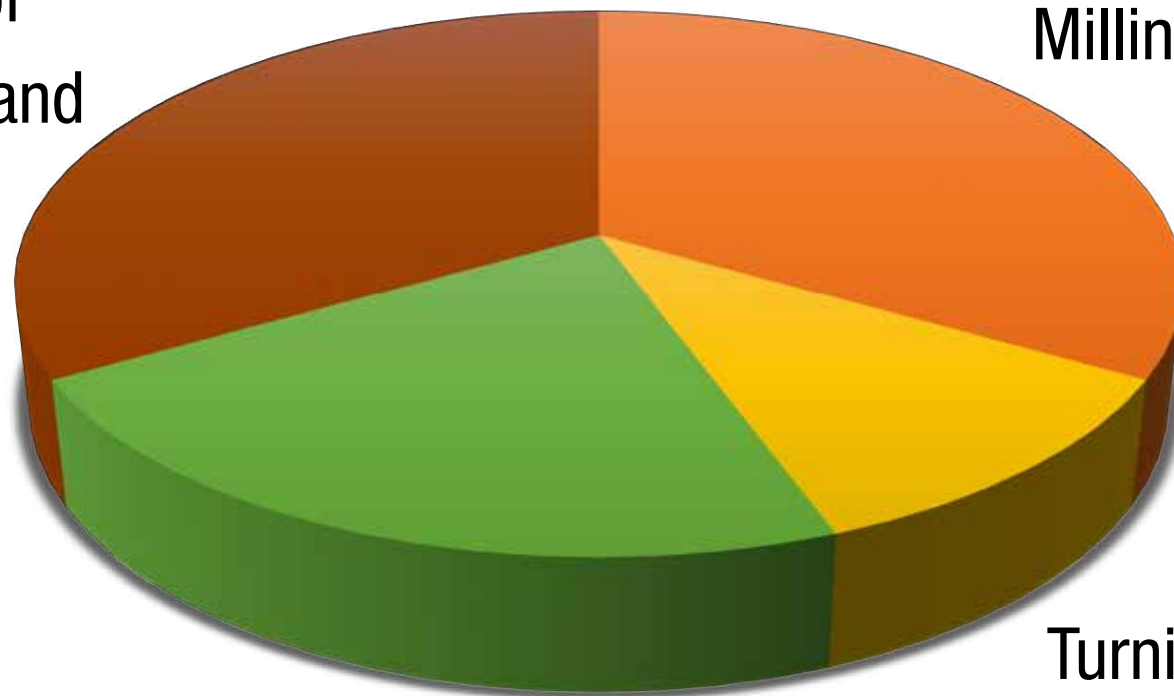


Swiss Association for Quality and Management Systems (SQS)
Bernstrasse 103, 3052 Zollikofen, Switzerland



Fields of activity

Production of
assemblies and
components

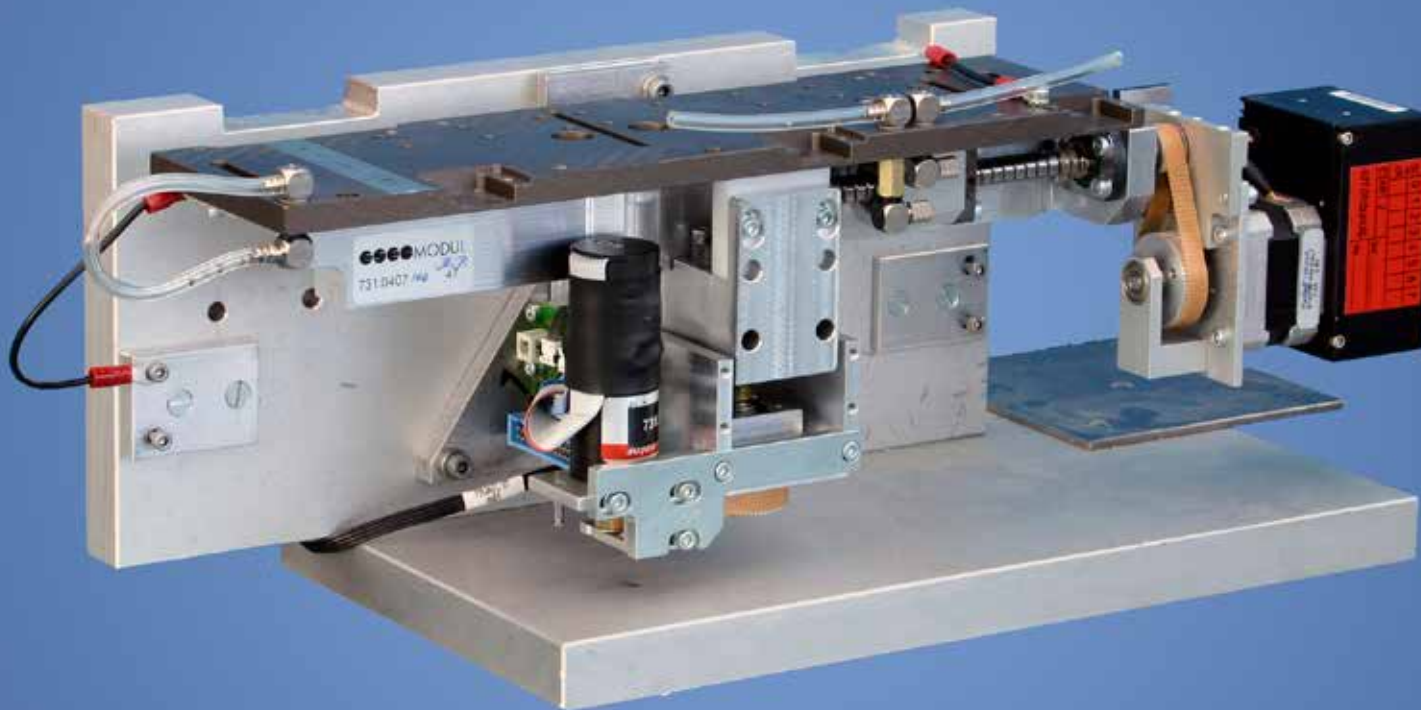


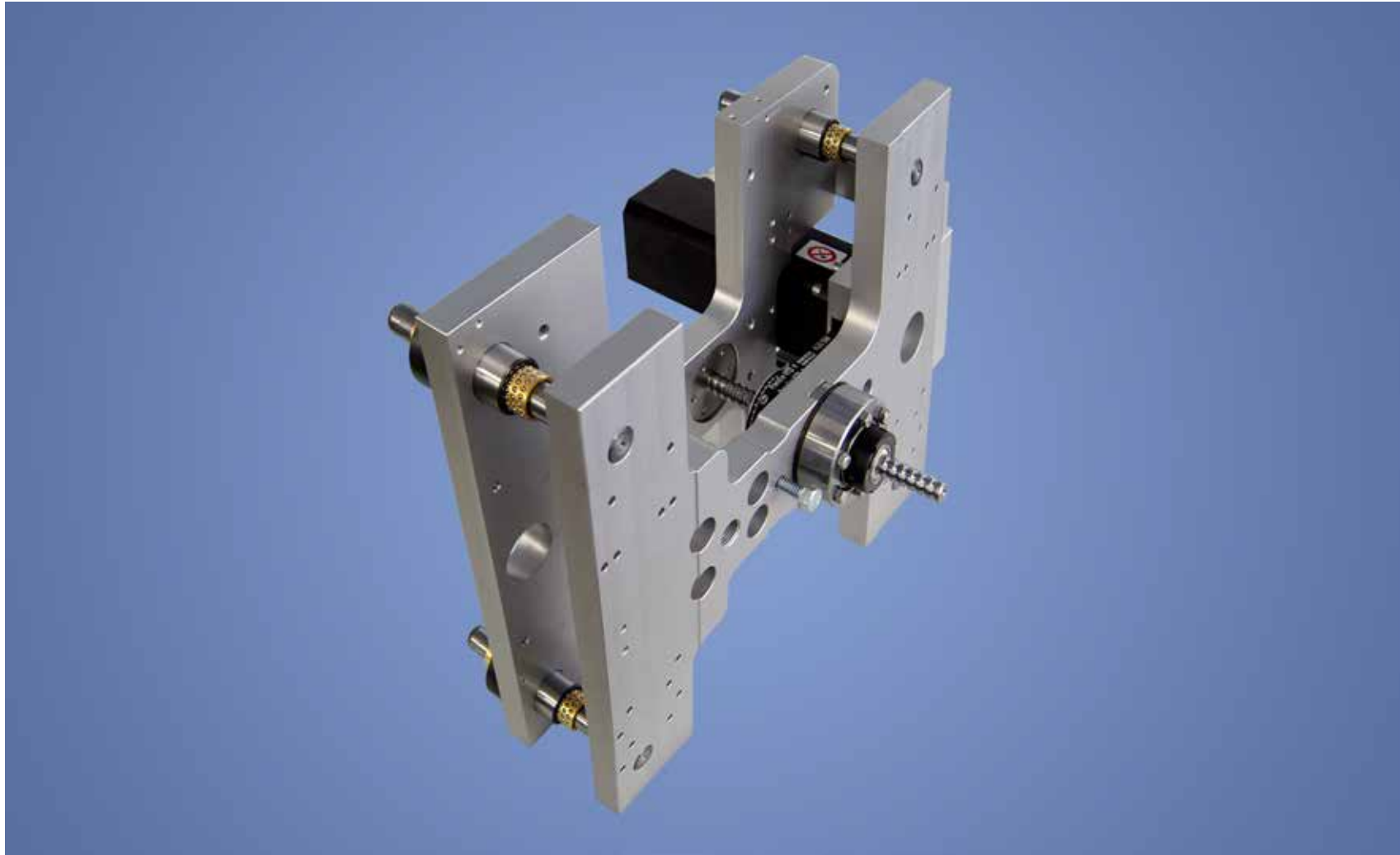
Milling CNC

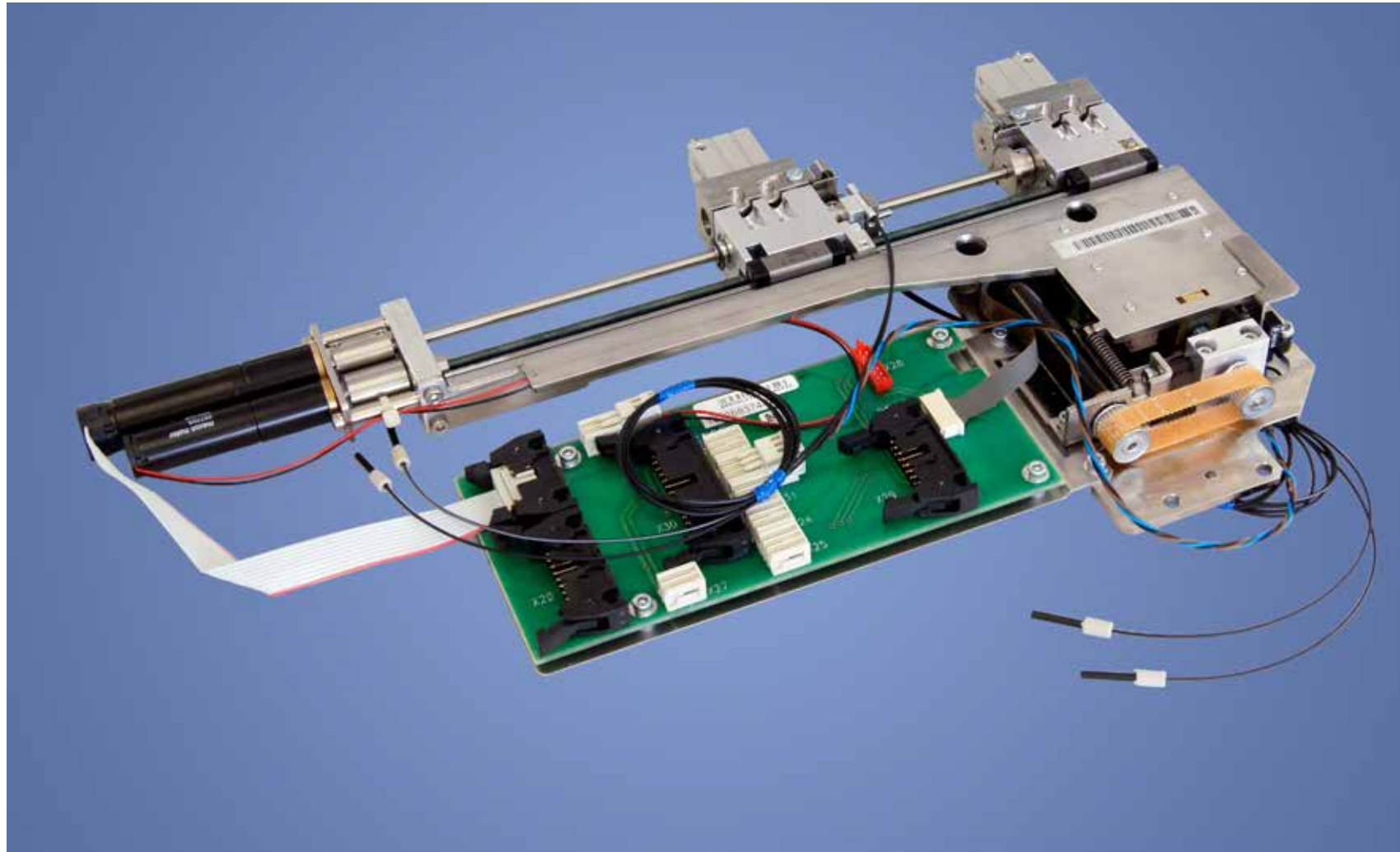
Turning CNC

Prototypes / small series

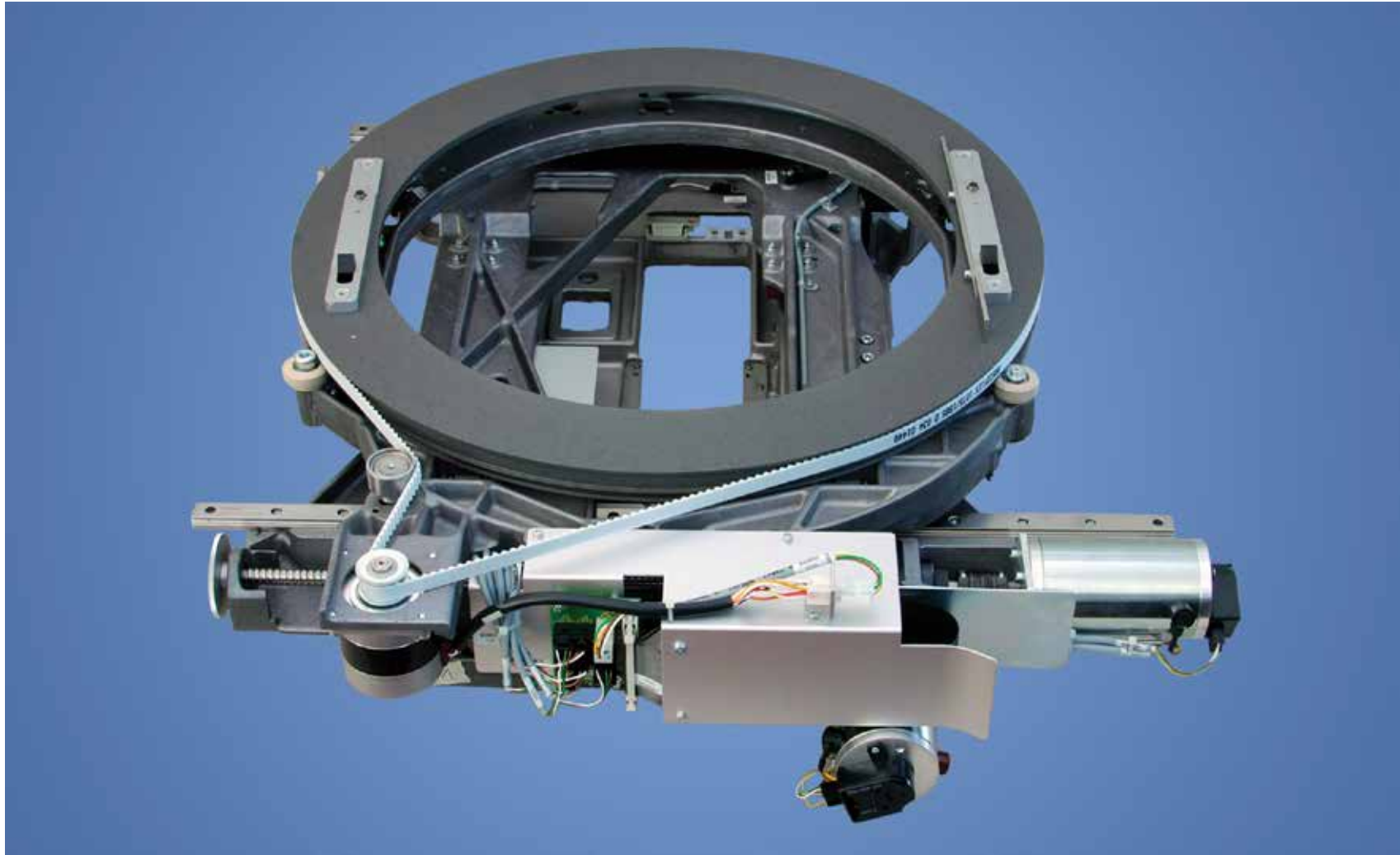
Assemblies and components









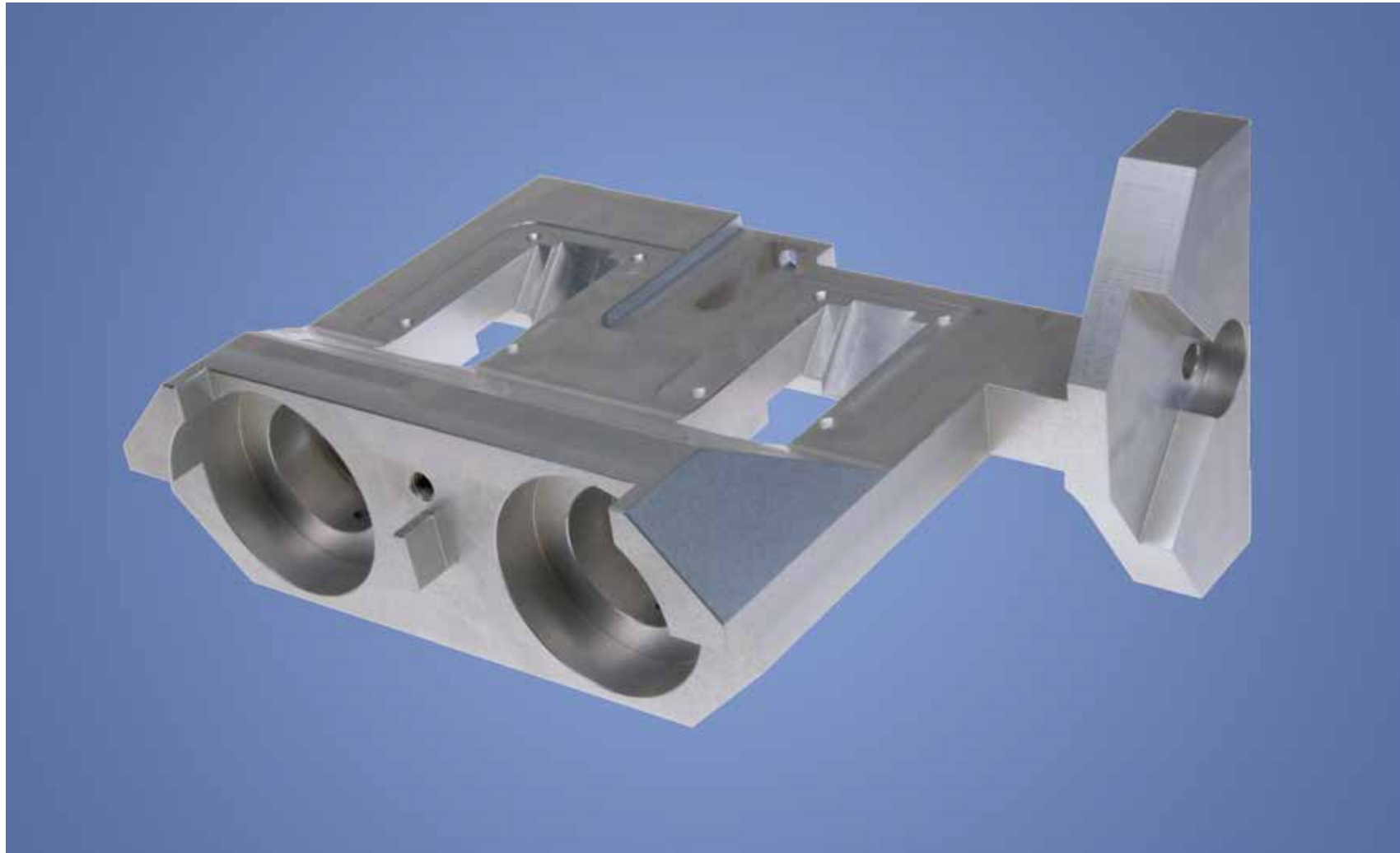


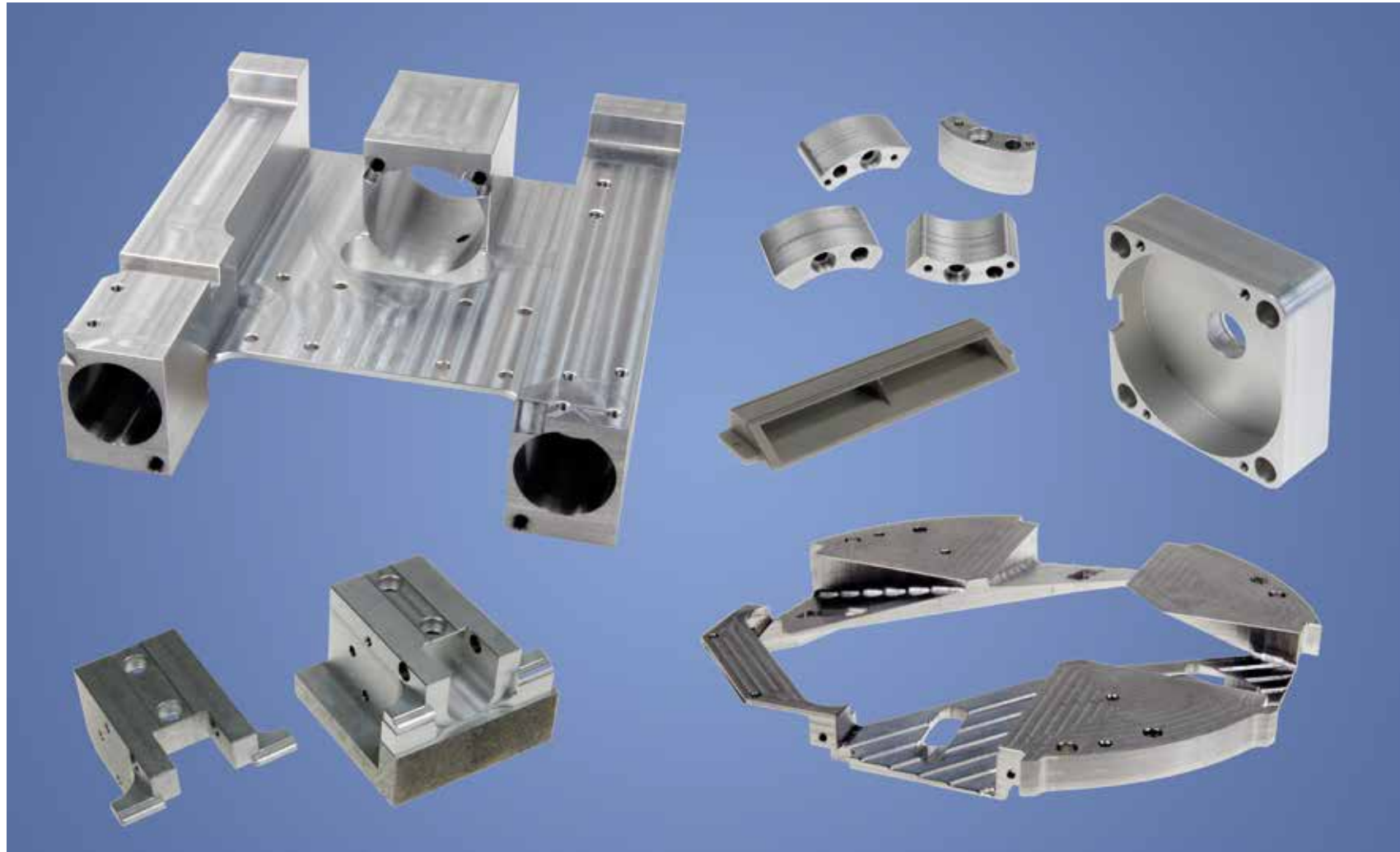
Clean room assembly



Milling







Turnage

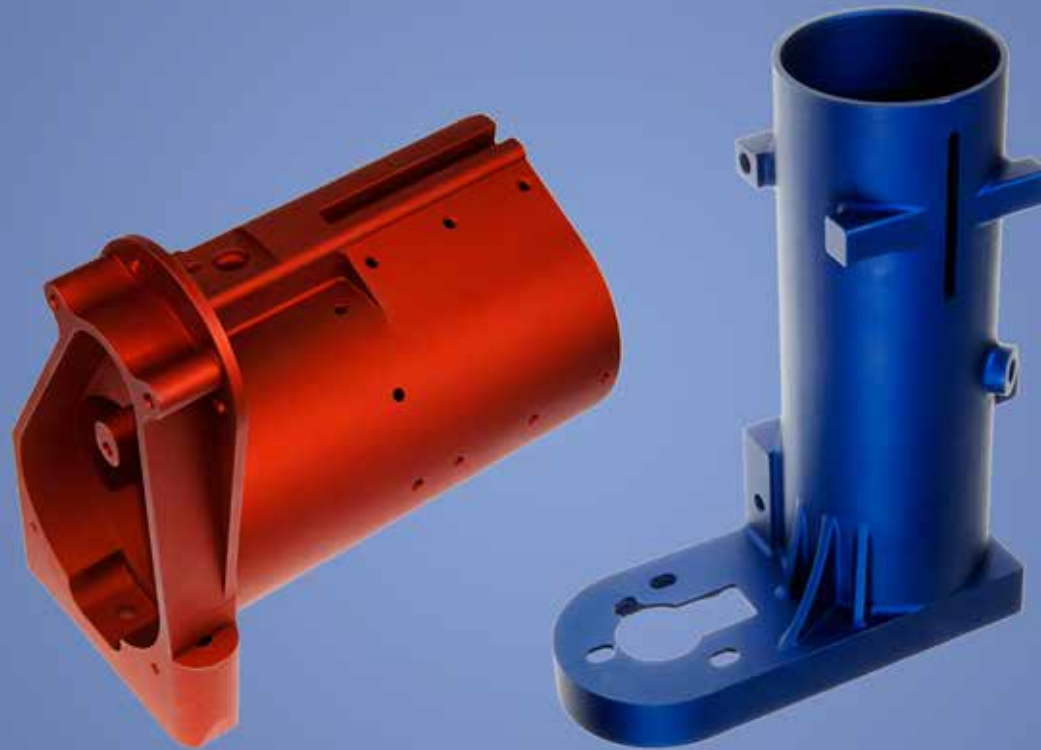






for the medical technology

Prototypes, small series



Measuring room / Quality control



Machinery / Automation



Our apprentices

„our apprentices are our future“

Polymechanic (m/f) and more





distec ag



**Visit us:
www.distec.ch**

**la force
de la précision
distec ag**